

H 7880 BP

30" Convection Oven - PureLine

Features:

- M-Touch Display with Motion React - Simple to use touch controls
- FoodView and Miele@Home - see your food from anywhere with an in-oven camera
- Wireless precision probe - For simple and precise results
- Moisture Plus - a burst of steam for professional quality cooking results at home
- Direct Water - No need to fill any water tanks
- Taste Control - Prevents overcooked dishes

Included:

- 1 Perforated baking tray
- 1 Universal baking tray
- 2 Self Clean Ready Baking and Roasting Racks
- 1 Rack with rail system

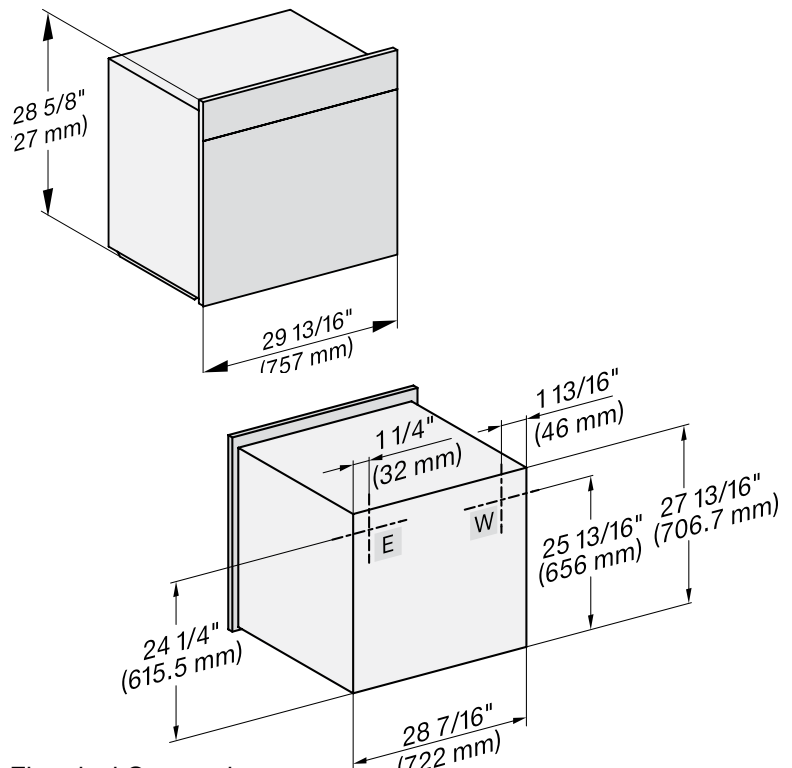


MATERIAL

11805590

SPECIFICATIONS	
Overall Unit Dimensions	29 ¹³ / ₁₆ " (757 mm) W x 28 ⁵ / ₈ " (727 mm) H x 23 ³ / ₄ " (603 mm) D
Niche	
Minimum Cabinet Niche Opening	28 ¹ / ₂ " (724 mm) W x 28 ¹ / ₄ " (718 mm) H x 24" (610 mm) D
Plumbing	
Water Supply Requirements	<ul style="list-style-type: none"> • Cold water connection • Male 3/8" compression fitting • Water pressure range 14.5 psi (1 bar) and 145 psi (10 bar)
Water Connection Line (Supplied)	Length: 5 ft (1.5 m) Female 3/8" compression.
Electrical	
Electrical Requirements	120/208-240V, 60Hz, 30 Amps
Power Cord	NEMA 14-30 plug, 5 ft (1.52 m)
Shipping	
Shipping Weight	215 lbs (98 kg)
Shipping Dimensions	30 ⁷ / ₁₆ " (776 mm) W x 35 ³ / ₄ " (907 mm) H x 32 ¹⁵ / ₁₆ " (836 mm) D

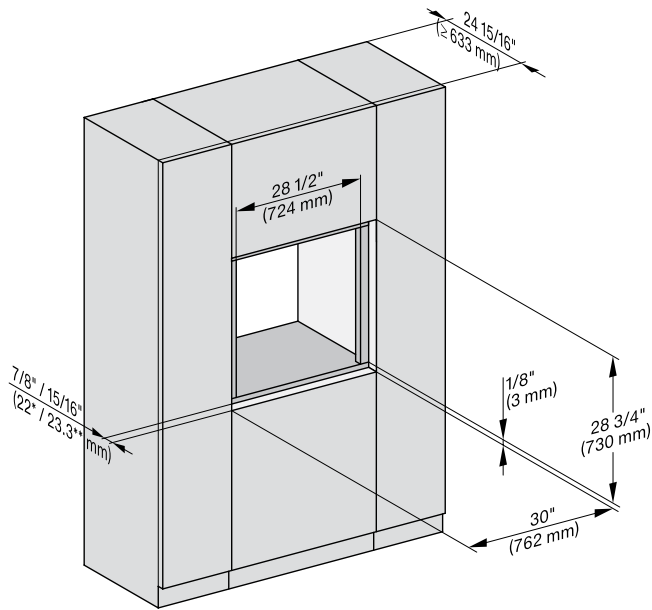
PRODUCT DIMENSIONS



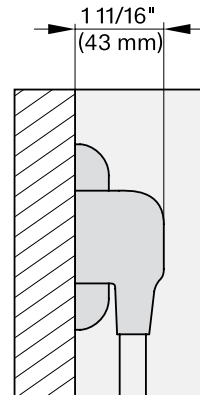
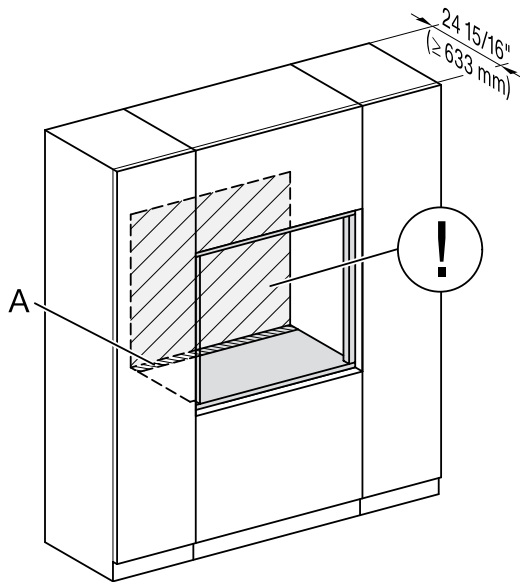
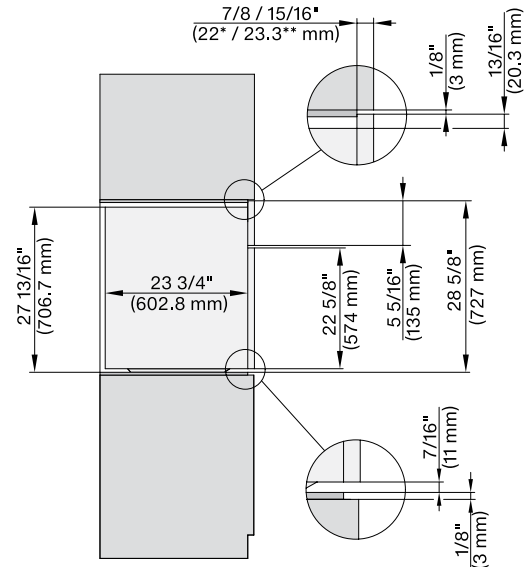
E = Electrical Connection
W = Water Connection

FLUSH CUTOUT DIMENSIONS

Front View



Side View



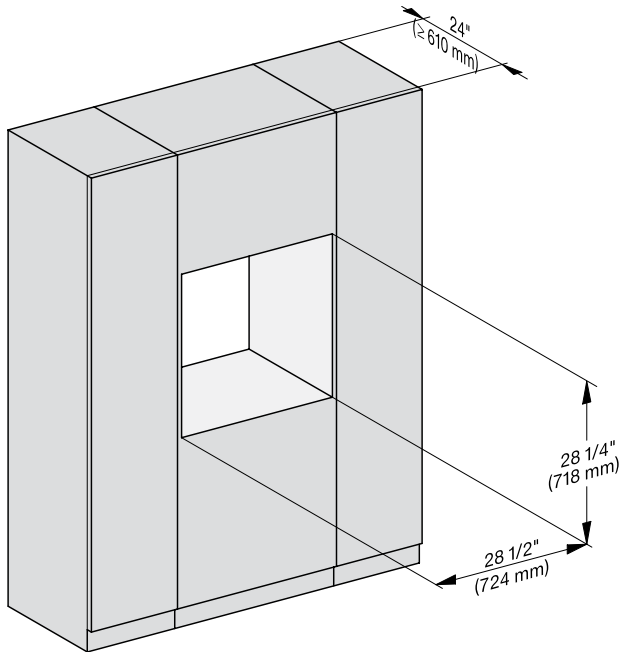
A - Cut-out (4" x 28" [100 mm x 720 mm]) in the bottom of the cabinet for the power cord and Ventilation

⚠ - Electrical and water supplies are recommended to be placed in adjacent cabinetry.

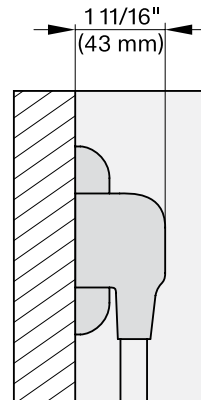
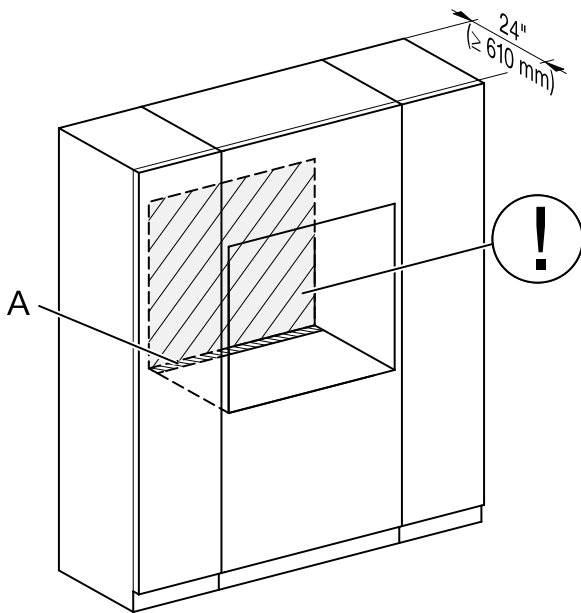
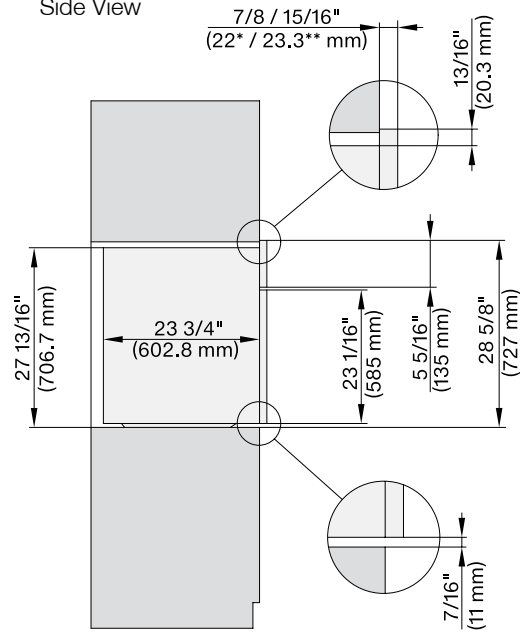
Additional cabinet depth is required when placing the electrical and water supplies behind the appliance.

PROUD CUTOUT DIMENSIONS

Front View



Side View



A - Cut-out (4" x 28" [100 mm x 720 mm]) in the bottom of the cabinet for the power cord and Ventilation

ⓘ - Electrical and water supplies are recommended to be placed in adjacent cabinetry.

Additional cabinet depth is required when placing the electrical and water supplies behind the appliance.