

# BRILLIANT WHITE PLUS SPEED OVEN

H 4086 BM BRWS+



# Brilliant White Plus Speed Oven H 4086 BM BRWS+



## FEATURES

- Combination and individual convection/microwave programs
- MasterChef touch controls
- True European convection
- Food-driven menu system
- 1,000 watt microwave
- Two-zone infrared broiling
- 15 operating modes, including AutoRoast™
- Favorites option
- Electronic temperature control
- PerfectClean™ stainless steel interior
- Interior halogen light
- Roast probe

## SPECIFICATIONS

<b>Product — Item 22408691CDN</b>	
Overall Width — excluding fascia	22 <sup>1</sup> / <sub>16</sub> " (560mm)
Overall Height	17 <sup>9</sup> / <sub>16</sub> " (446mm)
Overall Depth	21 <sup>5</sup> / <sub>16</sub> " (541mm)
Oven Door Clearance	34 <sup>11</sup> / <sub>16</sub> " (898mm)
Overall Oven Interior Capacity	1.31 cu. ft. (37.0L)
Overall Fascia Dimensions	23 <sup>7</sup> / <sub>16</sub> " (595mm) W x 18" (455.5mm) H x 7/8" (22mm) Thick
Oven Interior Dimensions	18 <sup>7</sup> / <sub>8</sub> " (460mm) W x 8" (202mm) H x 15 <sup>3</sup> / <sub>8</sub> " (390mm) D
<b>Built-In</b>	
Minimum Cabinet Width	22 <sup>1</sup> / <sub>16</sub> " — 22 <sup>3</sup> / <sub>8</sub> " (560mm — 568mm)
Minimum Cabinet Height	17 <sup>5</sup> / <sub>8</sub> " — 17 <sup>13</sup> / <sub>16</sub> " (448 — 452 mm)
Minimum Cabinet Depth	Min. 21 <sup>5</sup> / <sub>8</sub> " (550mm)
Minimum Base Support	125 lbs.
Additional Cut-outs Required	No
<b>Electrical</b>	
Electrical Requirements	240 / 208 V AC, 60 Hz, 20 Amp circuit w/ NEMA 14-30 outlet
Power Cord	Molded Plug, NEMA 14-30 Configured Plug, 7.2 ft. (2.2m)
Cut Out for Power Cord	Min 3" square
Electrical Rating	2.2kW (240V), 1.76kW (208V)
Total Amps	9.16 Amps on 240 V, 8.46 Amps on 208 V
<b>Shipping</b>	
Shipping Weight	125.3 lbs
Shipping Dimensions	25 <sup>5</sup> / <sub>8</sub> " W x 24 <sup>13</sup> / <sub>16</sub> " H x 27 <sup>1</sup> / <sub>85</sub> " L
<b>Support</b>	
Call	800.843.7231
20/20	©2020technologies.com

## HANDLES

Chrome Handle - Standard  
DS 4046



## OPTIONAL HANDLES

Profi Handle  
DS 4040



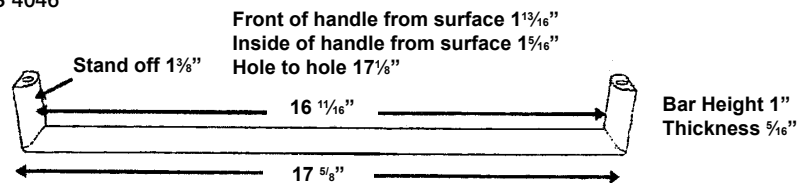
Classic Handle  
DS 4041



Straight Handle  
DS 4044



## DS 4046



## INCLUDED ACCESSORIES

- 1 wire rack
- 1 glass tray
- Roast probe
- Boiling stick

## TRIM KIT DIMENSIONS:

Optional EBA trim kit widths:

EBA 5478	29 <sup>13</sup> / <sub>16</sub> "
Cabinet Cutout	28 <sup>1</sup> / <sub>2</sub> "

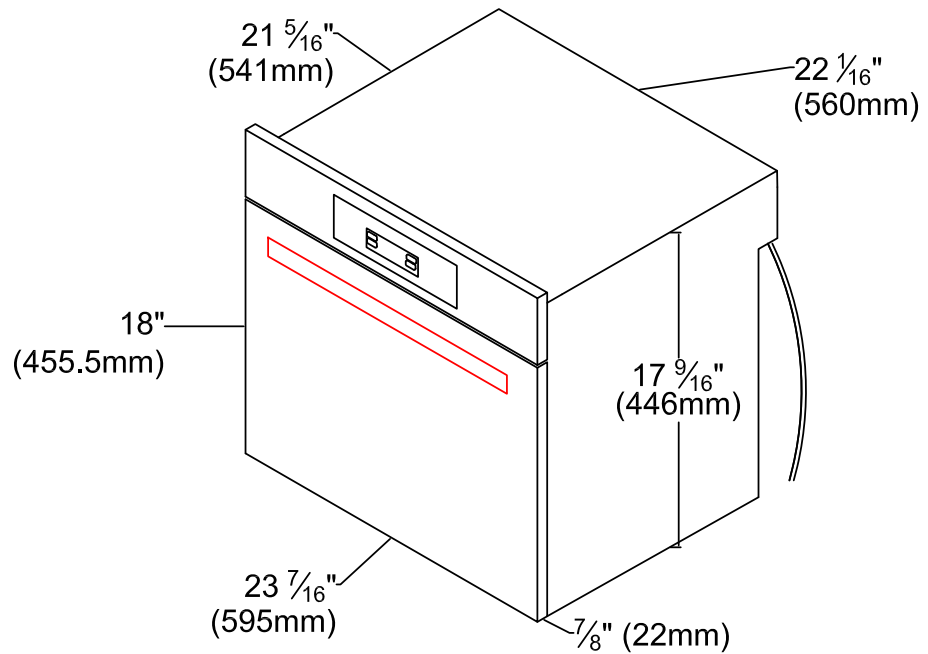
All installations must be done in accordance with local codes.

# Brilliant White Plus Speed Oven H 4086 BM BRWS+

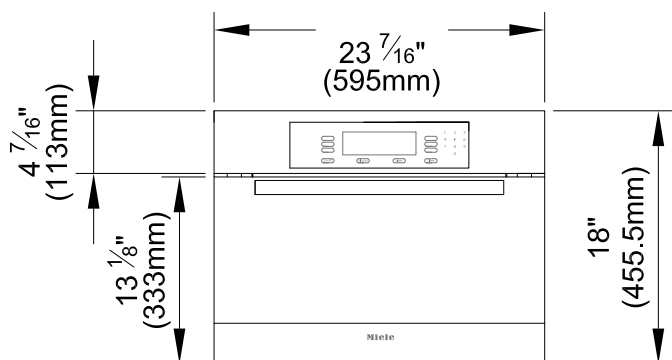


## PRODUCT VIEWS

Isometric View



Front View



The H 4086 BM Speed Oven is equipped with a 7.2" (2.2m) power cord with a NEMA 14-30P molded plug ready for connection to a:

240 / 208 V, 20 A, 60 Hz power supply



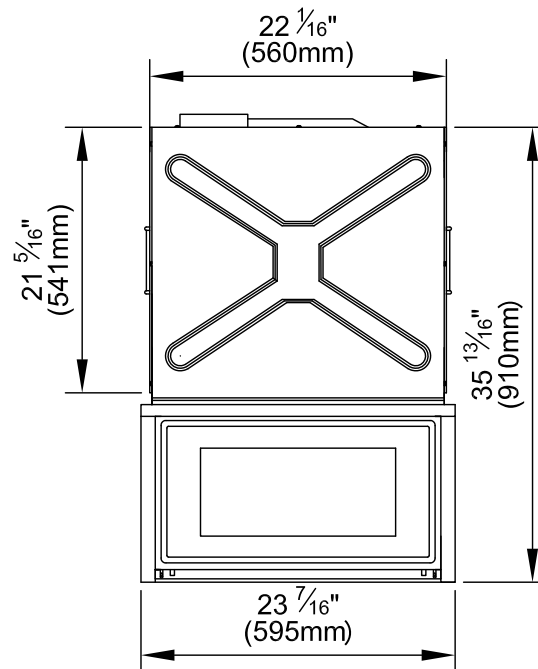
Miele appliances can be installed flush or proud. Discuss your installation requirements with you architect, designer and installer. Cabinet depth for flush installation is 22<sup>5</sup>/<sub>8</sub>". The inside edges of the rough opening must be finished.

# Brilliant White Plus Speed Oven H 4086 BM BRWS+

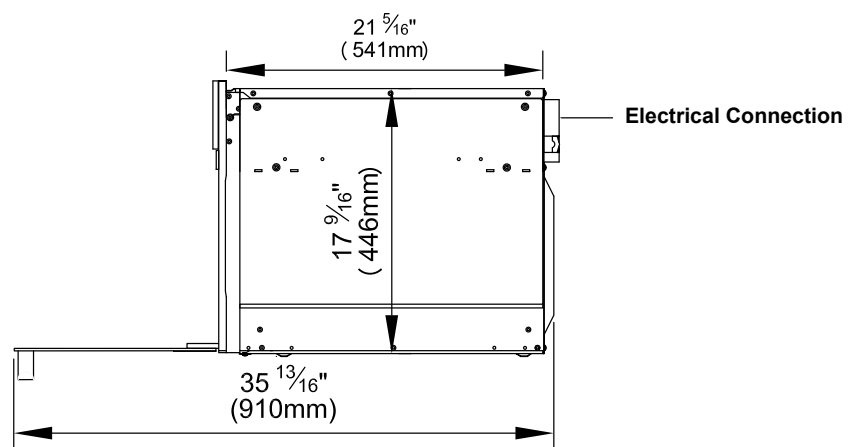


## PRODUCT VIEWS

Top View

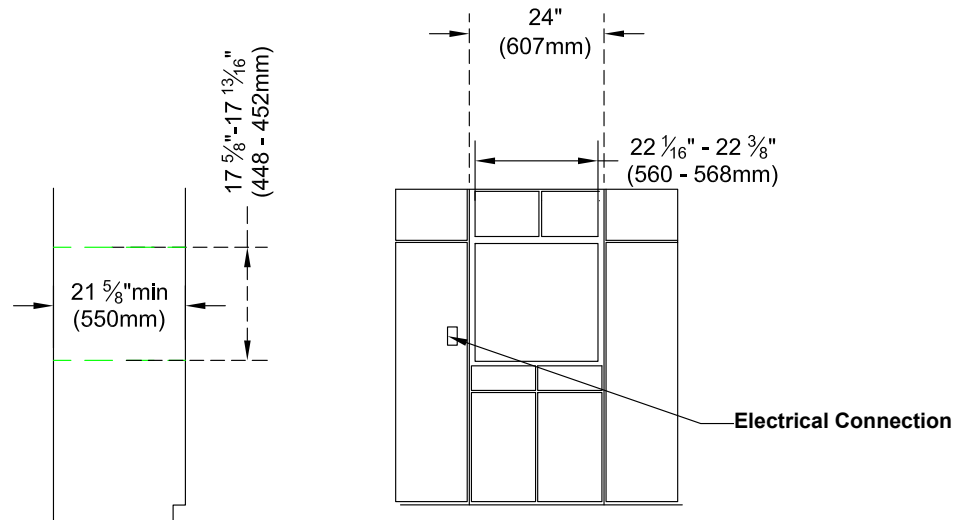


Side View

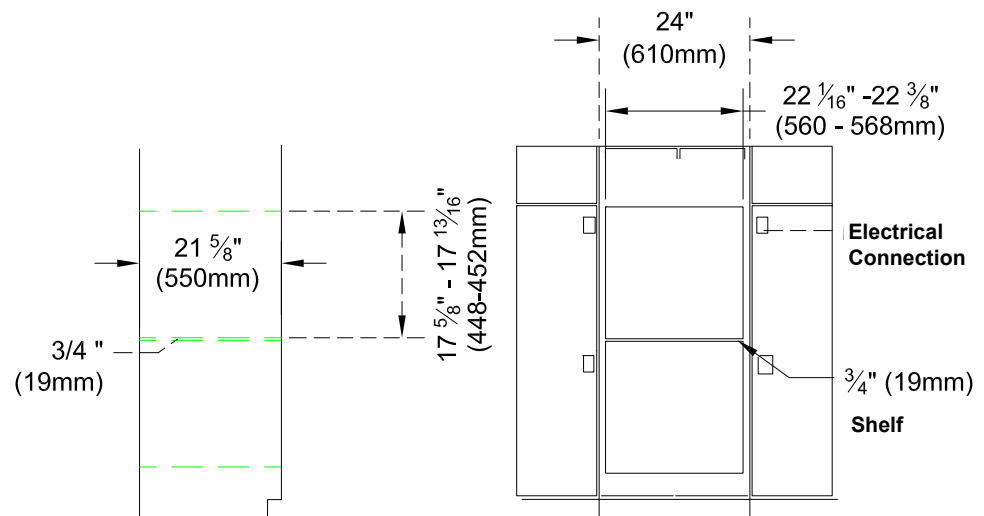


## INSTALLATION SPECIFICATIONS

### Wall Cabinet Installation

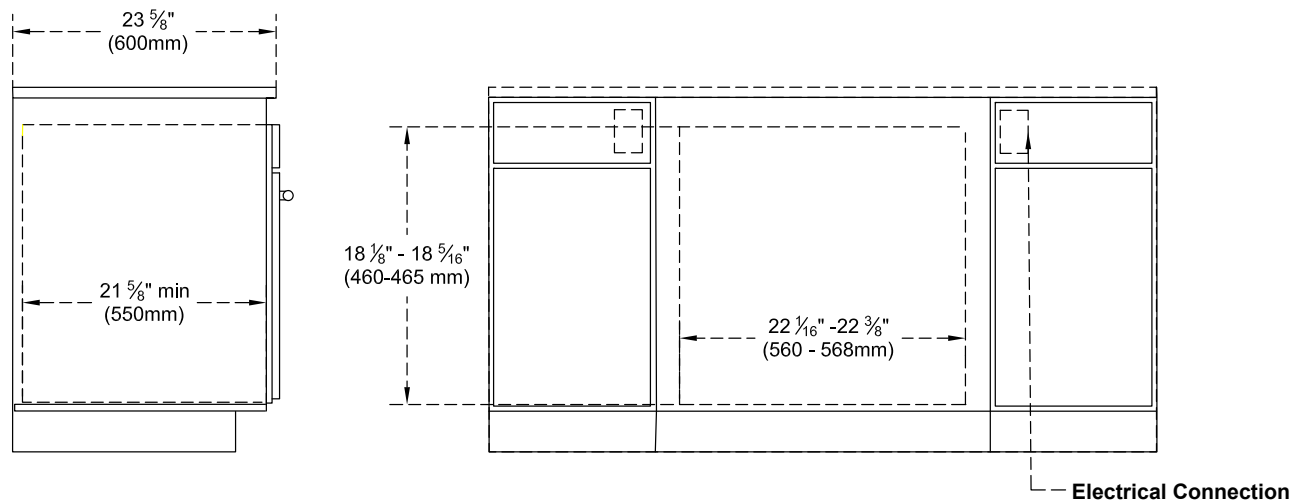


### Wall Mount Stacked Installation



## INSTALLATION SPECIFICATIONS

### Undercounter Installation



### Undercounter Side-by-Side Installation

