

PureLine Truffle Brown  
24" Convection Oven

H 6660 BP HVBR



# PureLine 24" Convection Oven H 6660 BP HVBR



## Features:

- SensorTronic controls: 5-line TFT display with laterally positioned sensor controls that clearly present menu content.
- NEW: Self clean oven
- Over 35% larger cavity than Generation 4000
- 17 Operating Modes
- Favorites - up to 20 recipes
- MasterChef menu offers over 100 food types to cook to perfection
- Roast probe for perfect roasting results
- Rapid PreHeat
- CleanGlass Door
- Timer
- The simple yet sleek Silhouette handle seems to float enhancing its modern design lines

## SPECIFICATIONS

**H 6660 BP HVBR— Item 22666003USA**

Overall Unit Width - Excluding Fascia Dimension	21 <sup>3</sup> / <sub>4</sub> " (553 mm)
Overall Height - Excluding Fascia Dimension	22 <sup>11</sup> / <sub>16</sub> " (577 mm)
Overall Depth- Excluding Fascia Dimension	21 <sup>1</sup> / <sub>2</sub> " (546 mm)
Oven Door Clearance	17 <sup>13</sup> / <sub>16</sub> " (451 mm)
Overall Fascia Dimensions	23 <sup>7</sup> / <sub>16</sub> " (595 mm) W x 23 <sup>7</sup> / <sub>16</sub> " (596 mm) H x 7 <sup>7</sup> / <sub>8</sub> " (22 mm) D

### Built-In

Minimum Cabinet Opening Width	22 <sup>1</sup> / <sub>16</sub> " (561 mm)
Minimum Cabinet Opening Depth	21 <sup>5</sup> / <sub>8</sub> " (550 mm)
Minimum Cabinet Opening Height	23 <sup>3</sup> / <sub>8</sub> " (593 mm)
Minimum Base Support	100 lbs
Additional Cut-outs Required	Cut-out (4" x 22" / 100 mm x 560 mm) in the bottom of the cabinet for powercord and ventilation

### Electrical

Electrical Requirements	120/208V, 20A, 60Hz 120/240V, 20A, 60Hz
Power Cord	NEMA 14-30 plug, 6 ft (1.8 m)
Electrical Rating	5400w (120/240V) 4200w (120/208V)
Total Amps	17.5A (240V) / 15.4A (208V)

### Shipping

Shipping Weight	109 lbs (49 kg)
Shipping Dimensions	26 <sup>3</sup> / <sub>8</sub> " W x 29 <sup>5</sup> / <sub>16</sub> " H x 27 <sup>3</sup> / <sub>16</sub> " L

### Support

Call Miele	800.843.7231
Miele Website	🌐www.mieleusa.com
20/20 Link	🌐2020technologies.com

HANDLE SPECIFICATIONS

<p><b>Comfort Handle:</b> Optional with ContourLine  (DS 6708 Item #09828380)</p>	<p><b>ComfortSwivel Handle:</b> Standard with ContourLine Optional for PureLine (DS 6718 Item # 09828390)</p>
---	---

<p><b>Silhouette Handle:</b> Standard with Pureline Optional for Contourline (DS 6808 Item # 09828400)</p>	
--	--

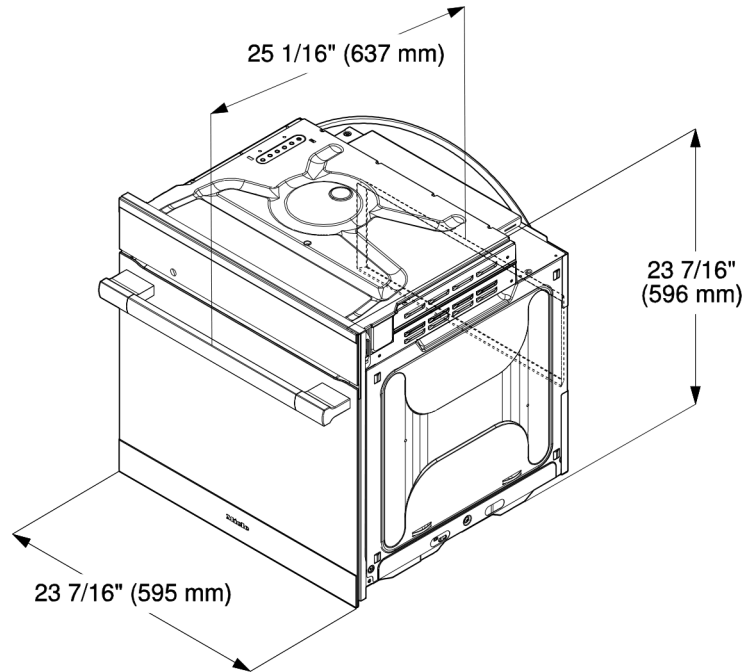
<p><b>Silhouette Handle (Chrome):</b> Standard with BrilliantWhite (DS 6808 Item # 09828410)</p>	<p><b>Silhouette Handle:</b> Standard with Truffle Brown (DS 6808 Item # 09870690)</p>
--	--

# PureLine 24" Convection Oven H 6660 BP HVBR

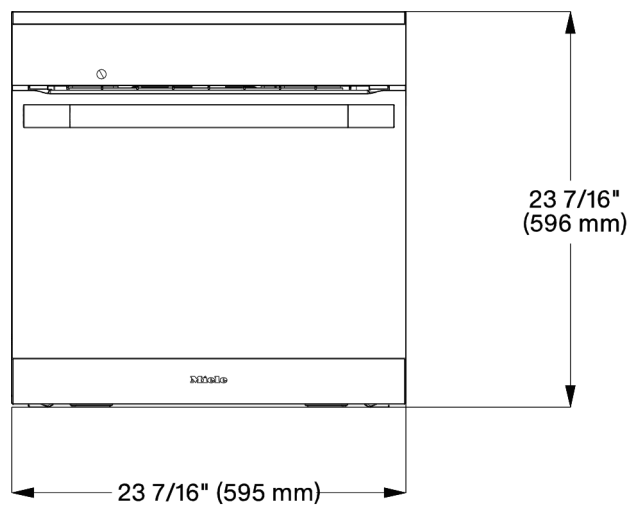


## PRODUCT VIEWS

### Isometric View



### Front View

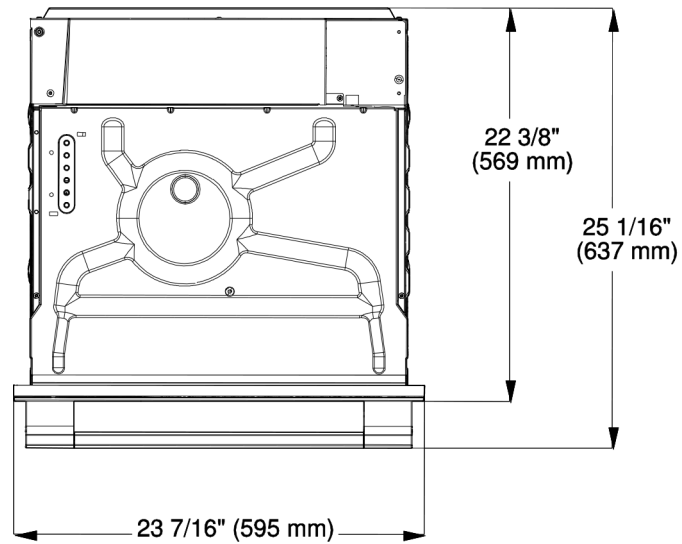


# PureLine 24" Convection Oven H 6660 BP HVBR

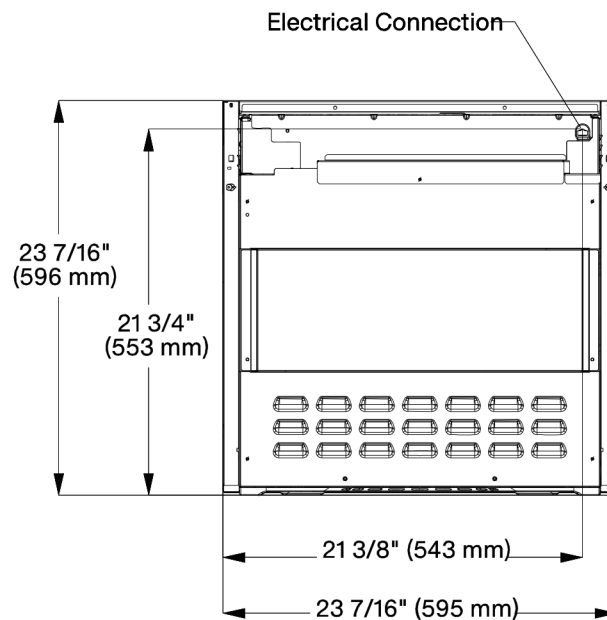


## PRODUCT VIEWS

Top View



Rear View

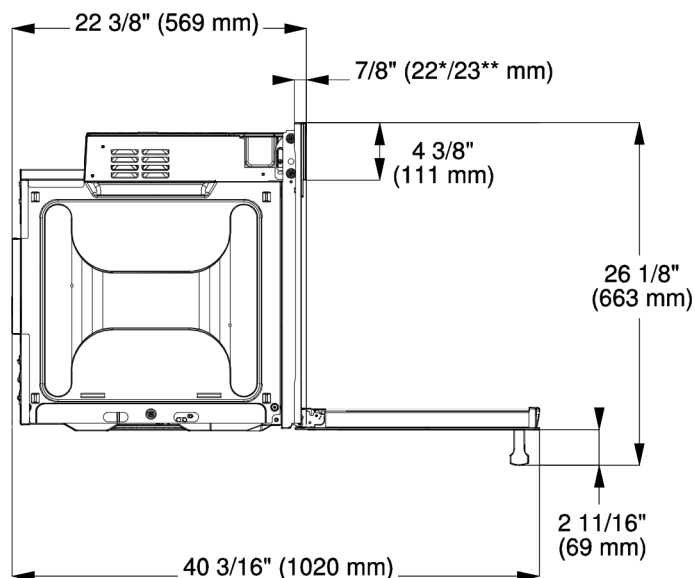


# PureLine 24" Convection Oven H 6660 BP HVBR



## PRODUCT VIEWS

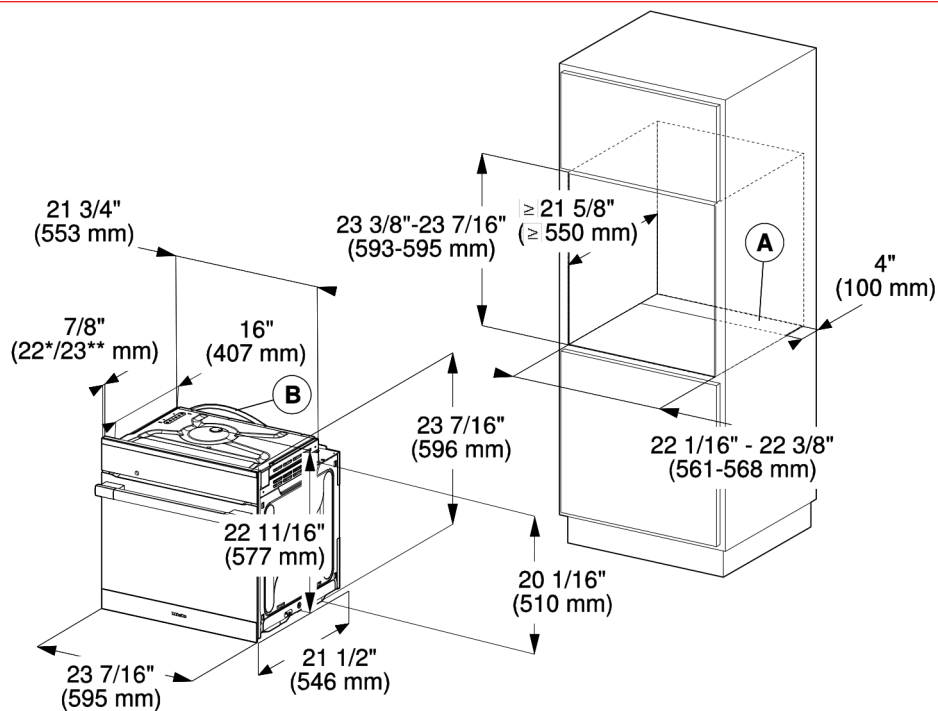
Side View



\* Oven with glass front  
\*\* Oven with metal front

## INSTALLATION SPECIFICATIONS

Install in Tall Niche



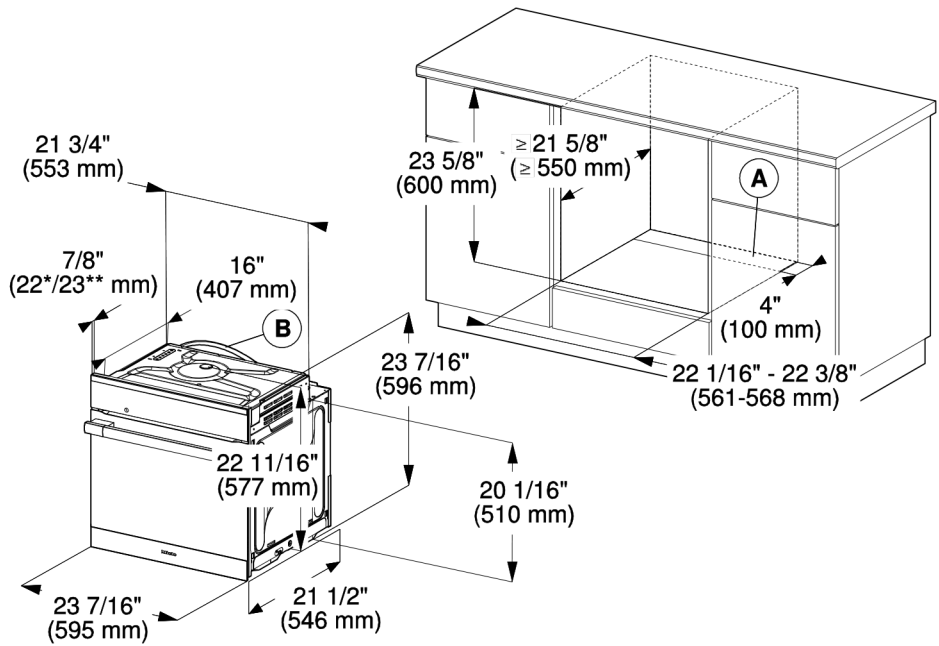
- Ⓐ Cut-out (4" x 22" / 100 mm x 560 mm) in the bottom of the cabinet for power cord and ventilation
- Ⓑ Power cord with plug
- \* Oven with glass front
- \*\* Oven with metal front

# PureLine 24" Convection Oven H 6660 BP HVBR



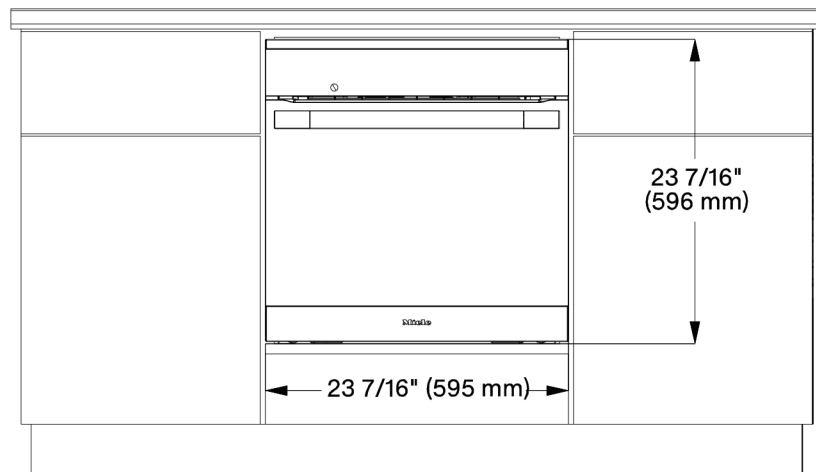
## INSTALLATION SPECIFICATIONS

### Undercounter Installation



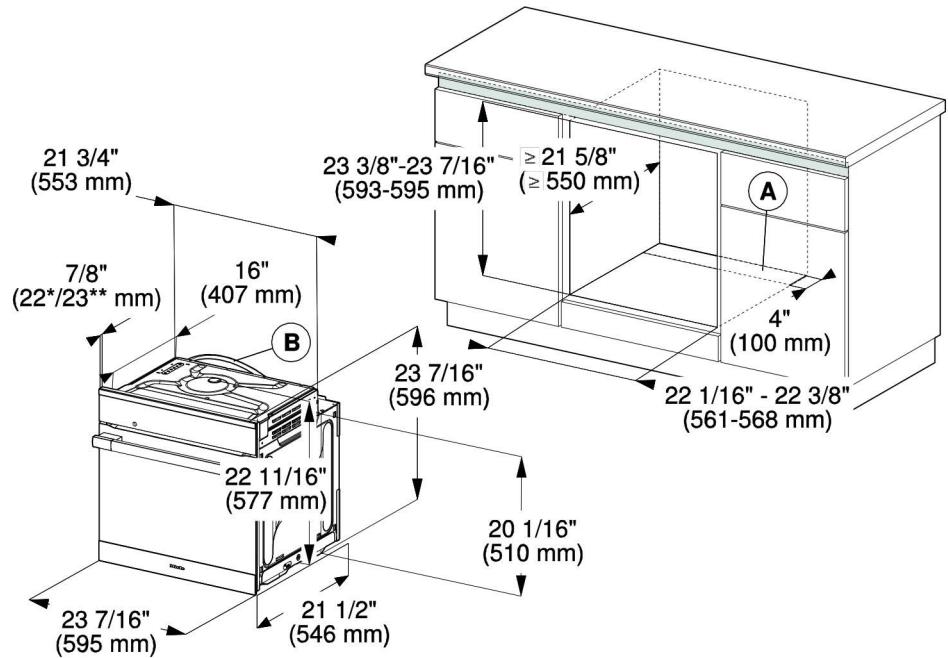
- Ⓐ Cut-out (4" x 22" / 100 mm x 560 mm) in the bottom of the cabinet for power cord and ventilation
- Ⓑ Power cord with plug
- \* Oven with glass front
- \*\* Oven with metal front

### Undercounter Installation Front view



## INSTALLATION SPECIFICATIONS

Undercounter with Framed  
Cabinetry Installation



- Ⓐ Cut-out (4" x 22" / 100 mm x 560 mm) in the bottom of the cabinet for power cord and ventilation
- Ⓑ Power cord with plug
- \* Oven with glass front
- \*\* Oven with metal front