

## 24" Speed Oven

H 6100 BM, H 6200 BM,

H 6500 BM, H 6600 BM,

H 6700 BM, H 6800 BM



## 24" Speed Oven

SPECIFICATIONS	
Overall Dimensions - Excluding Fascia Dimension	22 <sup>1</sup> / <sub>16</sub> " (560 mm) W x 17 <sup>1</sup> / <sub>2</sub> " (444.7 mm) H x 21 <sup>11</sup> / <sub>16</sub> " (550.8 mm) D
Overall Fascia Dimensions	23 <sup>7</sup> / <sub>16</sub> " (595 mm) W x 17 <sup>15</sup> / <sub>16</sub> " (455 mm) H x <sup>7</sup> / <sub>8</sub> " (22 <sup>*</sup> / <sub>23</sub> <sup>**</sup> mm) D *Oven with glass/**Oven with metal
Oven Door Clearance	13 <sup>1</sup> / <sub>8</sub> " (333 mm)
Shelf	
Minimum Base Support	125 lbs
Electrical	
Electrical Requirements	120/208-240V, 60Hz, 30A
Power Cord	Molded NEMA 14-30 plug, 6 ft. (1.8 m)
Electrical Rating	4kW (120/240V), 3kW (120/208V)
Shipping	
Shipping Weight	126 lbs
Shipping Dimensions	25 <sup>5</sup> / <sub>8</sub> " (650 mm) W x 24 <sup>13</sup> / <sub>16</sub> " (627 mm) H x 27" (686 mm) L
Support	
Call Miele	(800) 999-1360
Miele Website	<a href="http://www.mieleusa.com">www.mieleusa.com</a>
20/20 Link	<a href="http://2020technologies.com">2020technologies.com</a>

### ContourLine:

#### DirectSelect



H 6100 BM  
Item 22610054USA

#### SensorTronic



H 6500 BM  
Item 22650054USA

#### M Touch



H 6700 BM  
Item 22670054USA

### PureLine:

#### DirectSelect



H 6200 BM  
Item 22620054USA

#### SensorTronic



H 6500 BM  
Item 22650054USA

#### M Touch



H 6800 BM  
Item 22680054USA

## 24" Speed Oven

### PureLine:

#### DirectSelect



H 6200 BM BRWS  
Item 22620014USA

#### SensorTronic



H 6660 BM BRWS  
Item 22650014USA

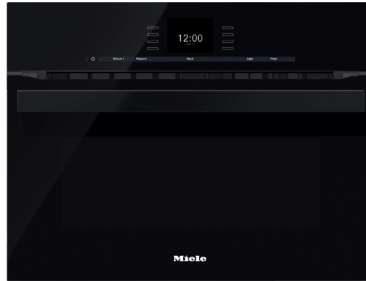
#### M Touch



H 6800 BM BRWS  
Item 22680014USA



H 6200 BM OBSW  
Item 22620024USA



H 6660 BM OBSW  
Item 22650024USA



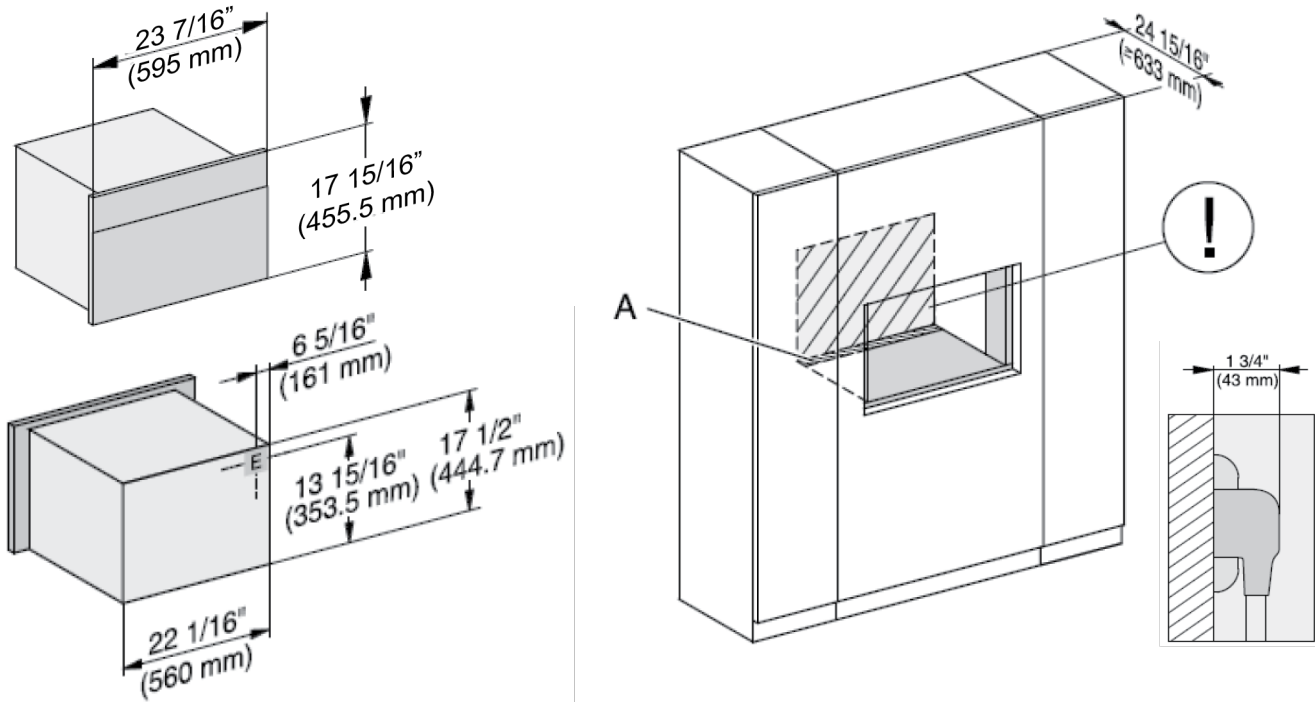
H 6800 BM OBSW  
Item 22680024USA



H 6800 BM GRGR  
Item 22680044USA

## 24" Speed Oven - Flush Installation

### PRODUCT DIMENSIONS

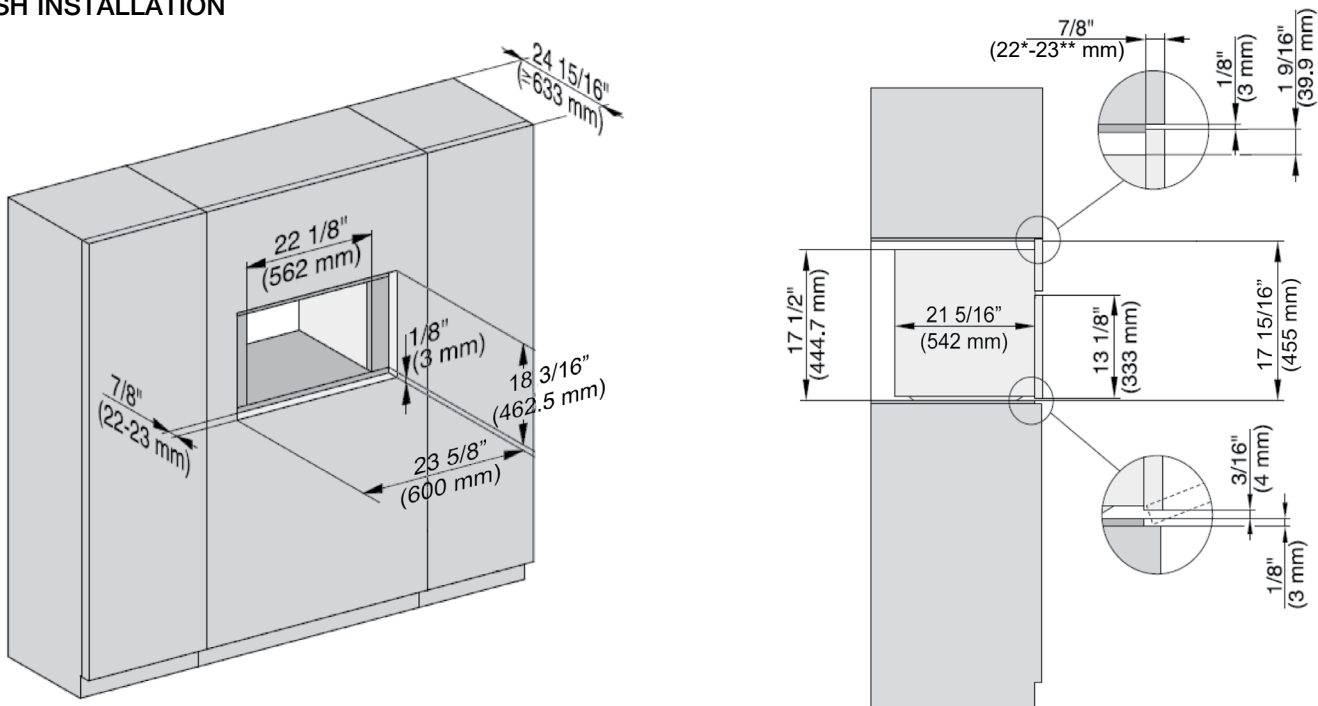


A - Cut-out (4" x 28" / 100 mm x 720 mm) in the bottom of the cabinet for power cord and ventilation

- ⚠ - Electrical and water supplies are recommended to be placed in adjacent cabinetry.  
Additional cabinet depth is required when placing the electrical and water supplies behind the appliance.

E = Electric connection

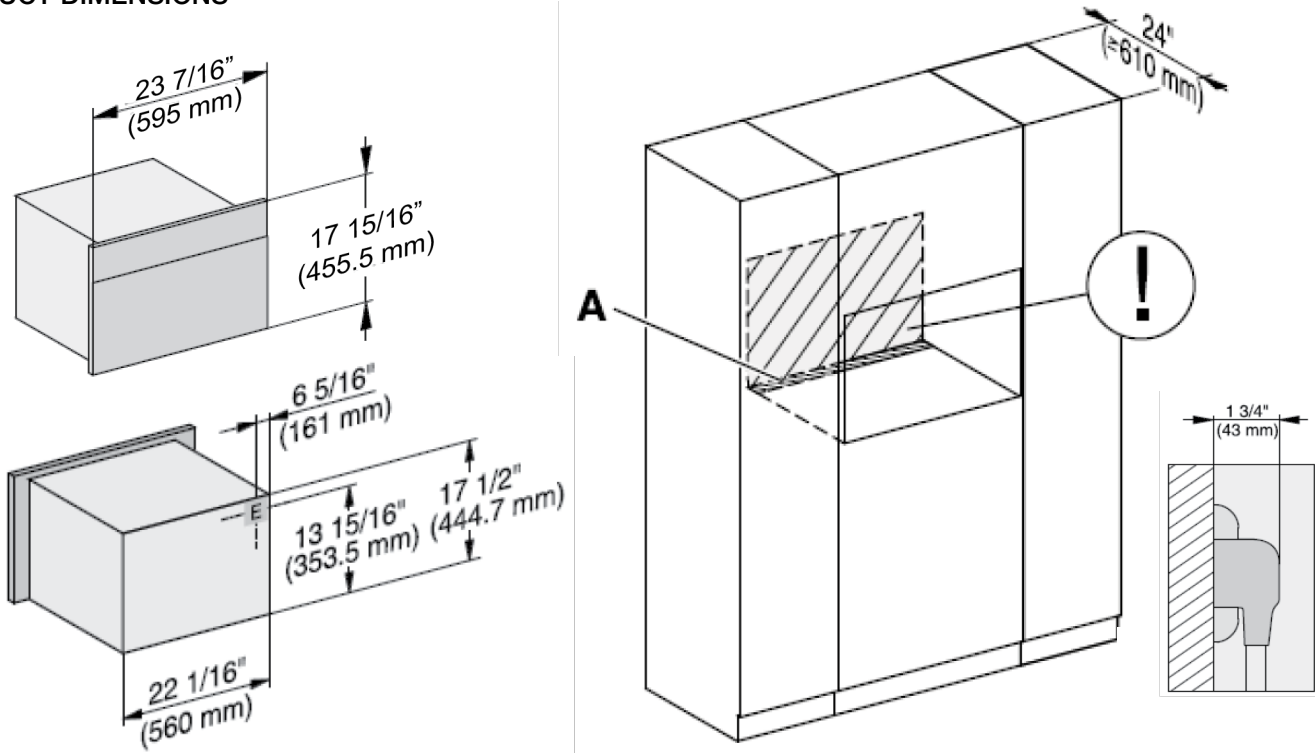
### FLUSH INSTALLATION



\* Oven with glass  
\*\* Oven with metal

## 24" Speed Oven - Proud Installation

### PRODUCT DIMENSIONS

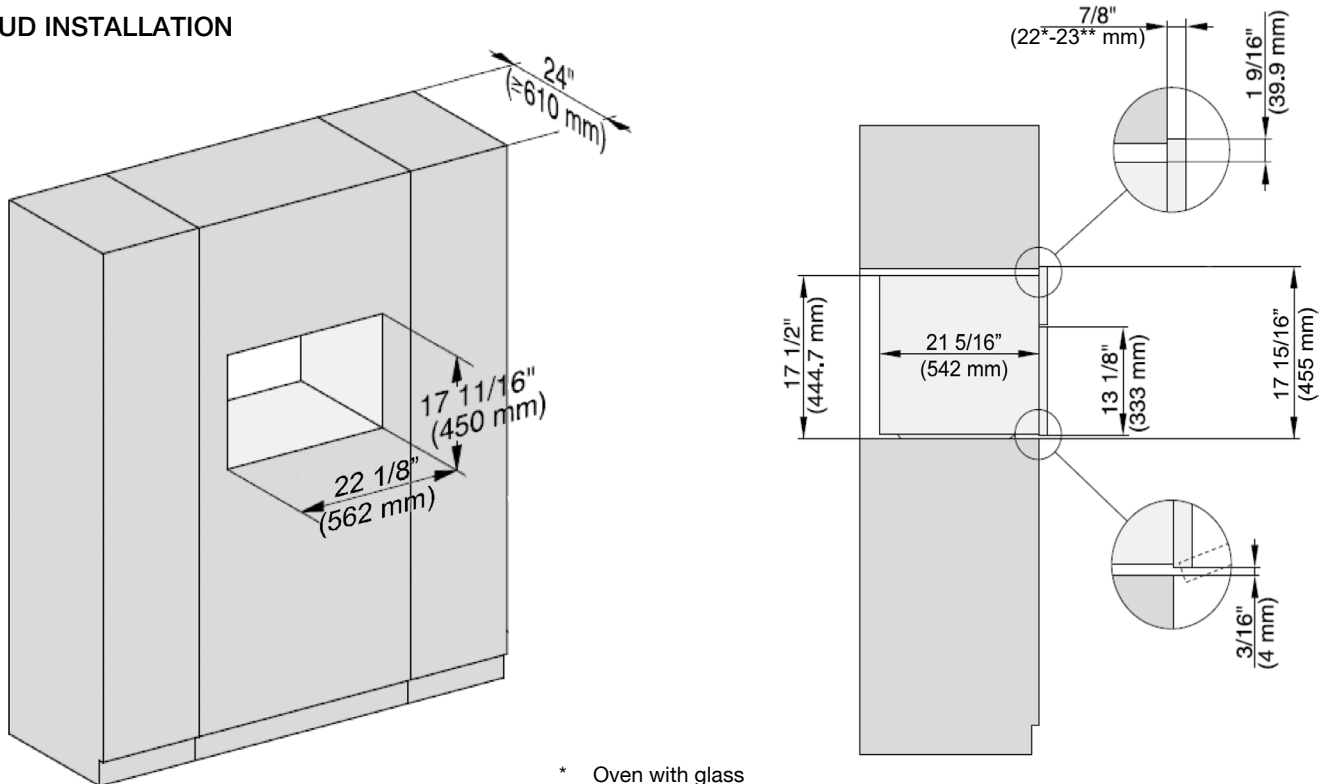


A - Cut-out (4" x 28" / 100 mm x 720 mm) in the bottom of the cabinet for power cord and ventilation

- ⚠ - Electrical and water supplies are recommended to be placed in adjacent cabinetry. Additional cabinet depth is required when placing the electrical and water supplies behind the appliance.

E = Electric connection

### PROUD INSTALLATION



\* Oven with glass  
\*\* Oven with metal