

HR 1622-3 30" Induction Range

Features:

- MasterChef Plus automatic programs - master new recipes easily
- M-Touch display - intuitive touch interface
- Moisture Plus - for perfect baking and roasting results
- Wireless Precision Probe -simple to monitor food temperature
- WifiConn@ct - monitor your appliances from your mobile device
- Motion React - appliance reacts to you when approached
- 4 Zone Induction Cooktop - precise temperature control

Included:

- 2 Wire Racks
- 1 Telescopic Rack - Self Clean Ready
- 1 Baking Tray with PerfectClean
- 1 Perforated Baking Tray
- 1 Grilling and Roasting insert

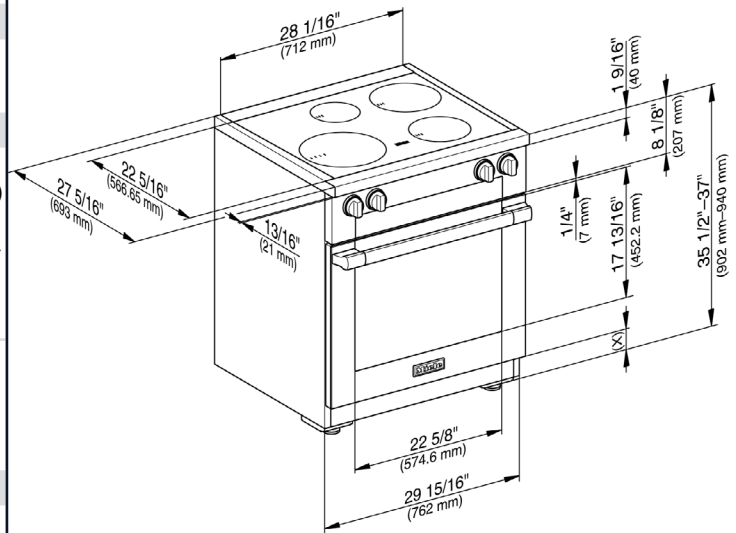


MATERIAL

11179310

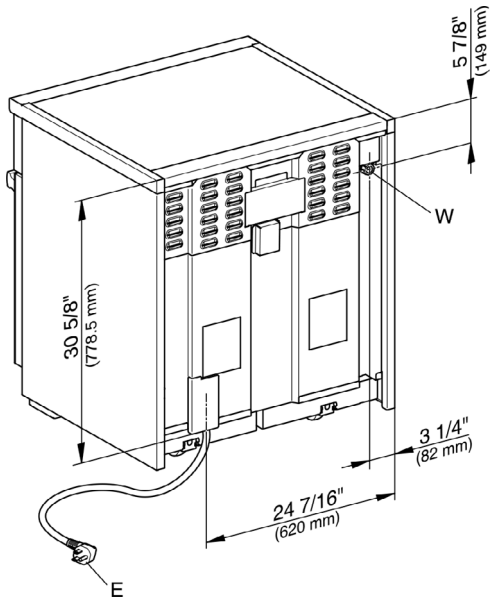
SPECIFICATIONS	
Overall Unit Dimensions	29 ¹⁵ / ₁₆ " (760 mm) W x 35 ¹ / ₂ " – 37" (902 – 940 mm) H x 26 ¹ / ₂ " (678 mm) D [Depth to control panel]
Niche	
Minimum Cabinet Niche Opening	30" (762 mm) W x 35 ¹ / ₂ " (902 mm) H
Plumbing	
Plumbing Requirements	An inline water filter required. Do not connect to a Reverse Osmosis (RO) water system. Connect to a cold water supply only with a shut-off valve. The water pressure must be between 14.5 and 145 psi (1 and 10 bars).
Plumbed Hose Connection	Supplied hose: flexible braided 4'11" (1.5 m) with ³ / ₈ " O.D. compression fitting for connection to a shut off valve. Total hose length must not exceed 24.5 ft. (7.5 m).
Electrical	
Electrical Requirements	120/208-240V, 60Hz, 50 Amps
Power Cord	NEMA 14-50 plug, 5 ft (1.52 m)
Shipping	
Shipping Weight	337.3 lbs (153 kg)
Shipping Dimensions	37 ⁷ / ₁₆ " (950 mm)W x 52" (1,294 mm) H x 31 ¹ / ₂ " (800 mm) D

PRODUCT DIMENSIONS

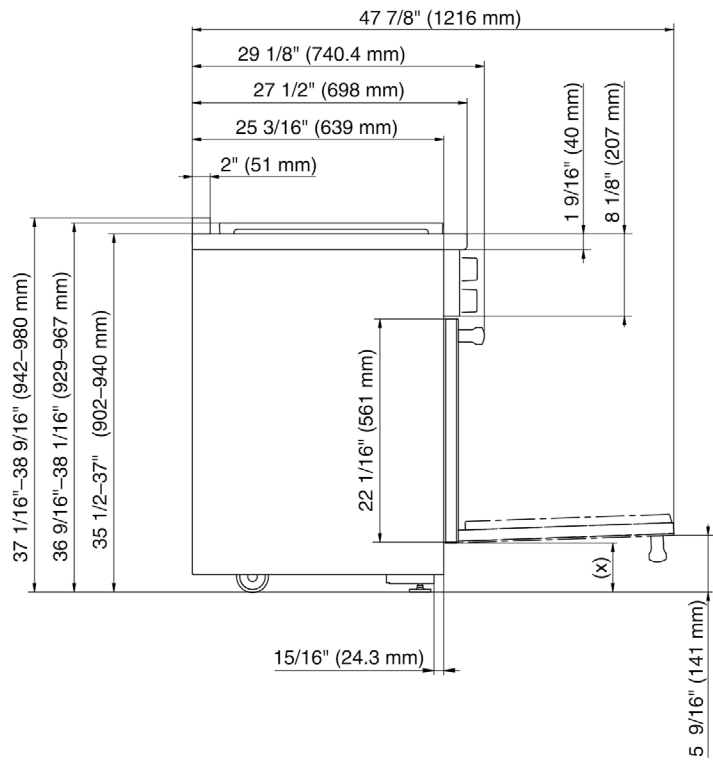


ADDITIONAL PRODUCT DIMENSIONS

Rear View

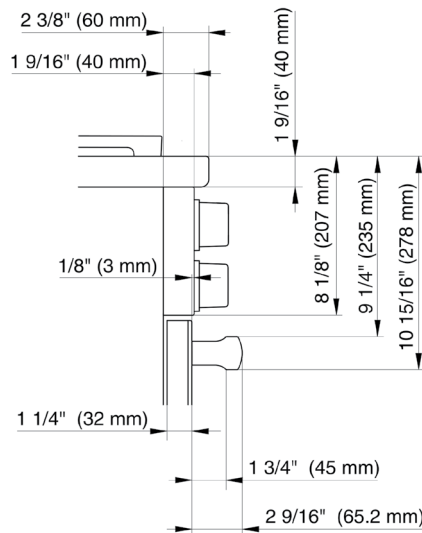


Side View



- (x) = Toe-kick height adjustment 5" - 6 1/2" (127 mm - 165.1 mm)
 E = Electrical connection
 G = Gas connection
 W = Water connection

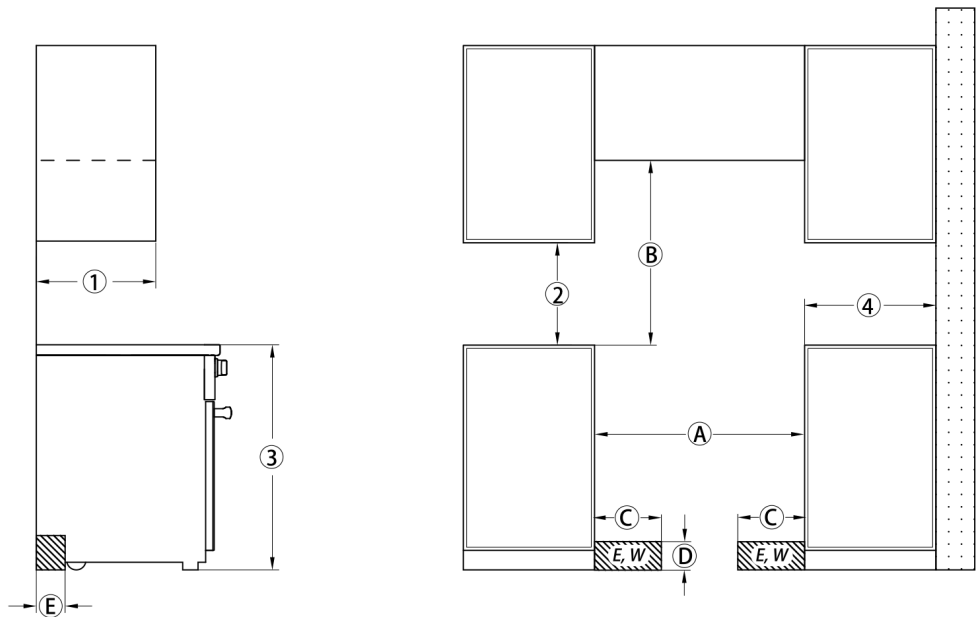
Bullnose Details



NICHE DETAILS

Induction 30" Range Cooking Zones

4-6 ¹ / ₄ " diameter	1,250-2,000W (208V) 1,450-2,300W (240V)
5 ¹ / ₂ -7 ³ / ₄ " diameter	1,700-2,700W (208V) 1,950-3,100W (240V)
6 ¹ / ₄ -9" diameter	2,100-3,500W (208V) 2,400-3,850W (240V)
7-11" diameter	2,300-3,350W (208V) 2,700-3,850W (240V)
Total Power Output	6,700W (208V)
	7,700W (240V)



Ⓒ, Ⓓ, Ⓔ The shaded area represents the installation area for the connections:
 E = Electrical connection,
 W = Water connection

Position	Dimensions	Description
①	13" (330 mm)	Maximum depth of top cabinet
②	18" (547 mm)	Minimum distance to bottom edge of top cabinet
③	35 1/2"-37" (901-940 mm)	Distance from the floor to cooktop surface
Ⓐ	min. 30" (762 mm)	Niche width
Ⓑ	30" (762 mm)	Minimum distance between the top of the cooking area and the bottom of an unprotected combustible surface.
	or 24" (609 mm)	Minimum distance to a protected combustible surface or when a Miele Ventilation Hood is installed.
	For all other hoods please consult the manufacturer's specifications for required distances.	
Ⓒ	approx. 10 13/16" (274 mm)	Maximum connection width right and left
Ⓓ	approx. 4 1/2" (115 mm)	Maximum connection height
Ⓔ	approx. 2 13/16" (72 mm)	Maximum connection depth
Position of the wall socket		