

KMR 1355-3 G

48" All Gas (6 Burner/Grill) Rangetop

Features:

- Direct Control - Knobs with light ring to instantly see if burner is on or off
- Comfort Clean gates - Easy to clean, dishwasher safe grates
- Clean Touch Steel™ finish - No fingerprints on stainless steel surfaces
- 2 Continuous Simmer Burner - The perfect temperature and even heat for delicate cooking
- M Pro Grill - A powerful grill on your cooktop



Included:

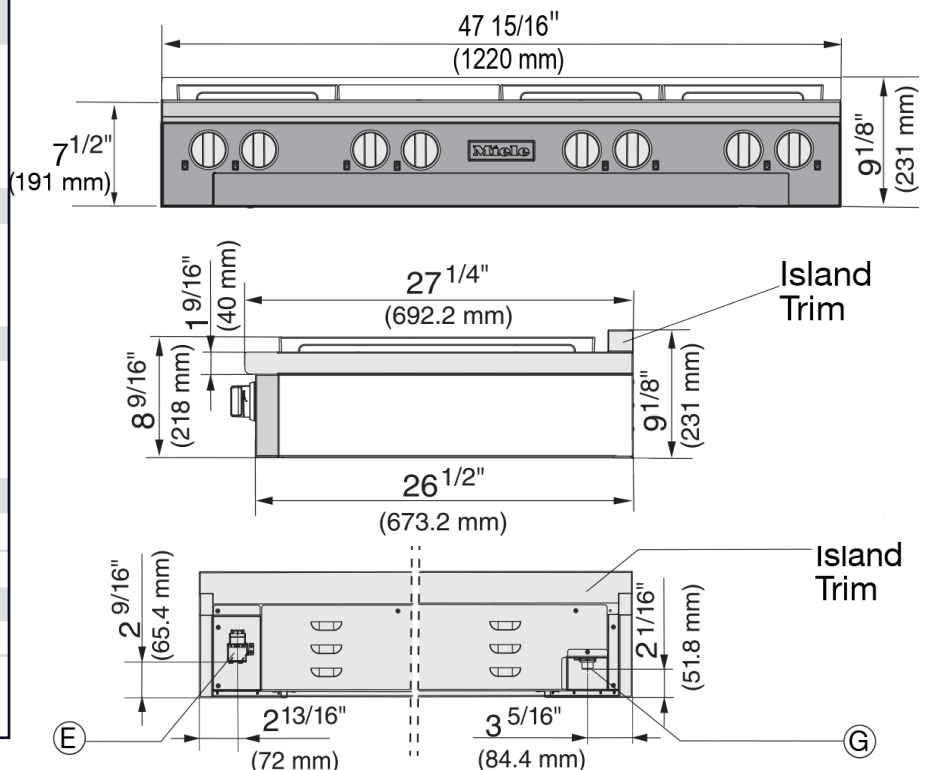
- Grill Cover Set (RGGC 1000)

MATERIAL

11588060

SPECIFICATIONS	
Overall Unit Dimensions	47 ¹⁵ / ₁₆ " (1220 mm) W x 7 ¹ / ₂ " (191 mm) H x [Height does not including Grates] 26 ¹ / ₂ " (673 mm) D [Depth to control panel]
Niche	
Minimum Cabinet Niche Opening	48" (1220 mm) W x 25 ¹ / ₁₆ " (636.6 mm) D [To back of control panel]
Operational Altitudes	
High Altitude	Miele Natural Gas and LP Rangetops will function up to 6,500 ft. in altitude without adjustment.
Electrical	
Electrical Requirements	110V / 120V, 60Hz, 15 Amps
Power Cord	NEMA 5-15 plug, 4 ft (1.2 m)
Shipping	
Shipping Weight	174.2 lbs (79 kg)
Shipping Dimensions	?? ² / _x " W x ?? ² / _x " H x ?? ² / _x " D

PRODUCT DIMENSIONS



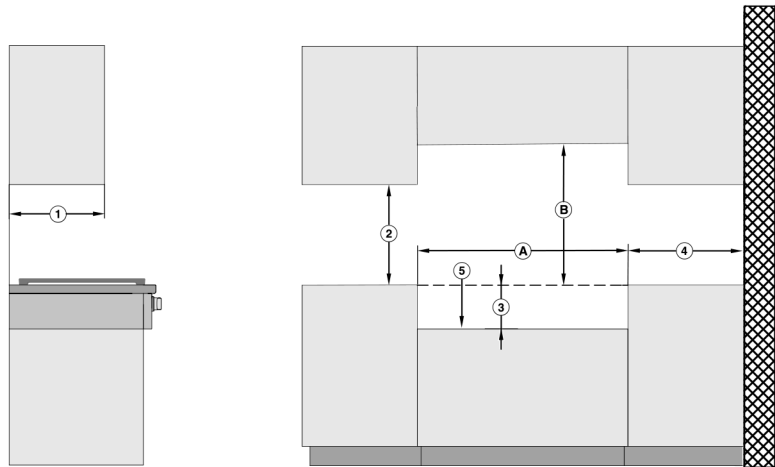
Length of power cord is 4 ft.

E = Electrical connection

G = Gas connection

BTU Output

Gas Burners:	(2) 10,000 BTU (G); (1) 13,600 BTU (G); (3) 19,500 BTU (G)
Grill Burner:	19,000 BTU (G)
Total BTU Output	111,100 BTU (G)



Position	Dimensions	Description
①	13" (330 mm)	Maximum depth of top cabinet
②	18" (457 mm)	Minimum distance to bottom edge of top cabinet
③	7 ¹ / ₂ " (190.5 mm)	Distance between the top edge of the countertop and the top edge of the support base
④	10" (254 mm)	Minimum distance to combustible surfaces
⑤		Support base ¹⁾
Ⓐ	min. 48" (1220 mm)	Niche width
Ⓑ	37" (940 mm)	Minimum distance between the top of the cooking area and the bottom of an unprotected combustible surface.
	30" (762 mm)	Minimum distance between the top of the cooking area and the bottom of the Miele Range Hood (DAR model with DRxB XXL blower).
	Refer to the Installation instructions for the Miele ventilation hood, Appliance dimensions (Distance between cooktop and ventilation hood (S)). For all other hoods please consult the manufacturer's specifications for required distances.	

1) The support base must have a minimum thickness of ³/₄" (19.05 mm).
At the rear right of the support base, a cut-out of 5 1/8" x 7 1/8" (130 mm x 80 mm) must be provided (gas connection) and, at the rear left, a cut-out of 4 6/8" x 1 9/16" (120 mm x 40 mm) (electrical connection).